

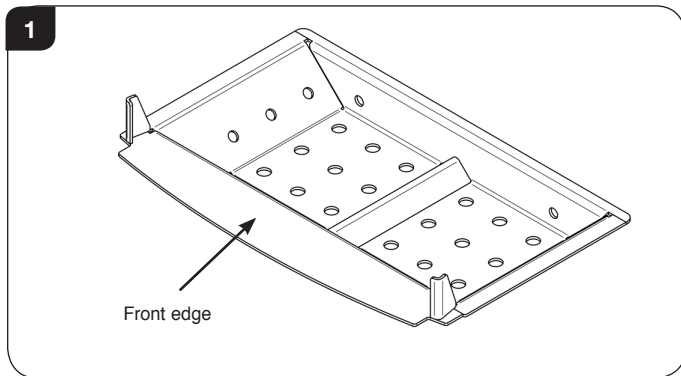
Fitting a Woodburning Tray

For Stovax, Yeoman & Kensal High Output Boilers

THIS ADDITIONAL INSTRUCTION MUST BE ATTACHED TO AND READ IN CONJUNCTION WITH THE INSTALLATION AND USER INSTRUCTIONS.

1. Woodburning Tray

In order to burn wood continuously in a Multi-fuel appliance a Woodburning Tray must be fitted.

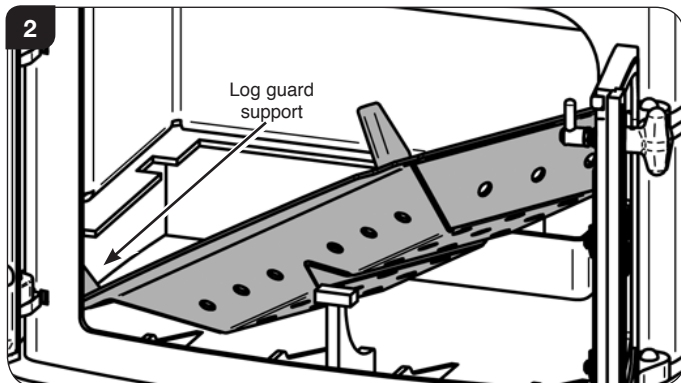


- 1.1 First remove the riddling mechanism from the appliance as detailed in the Installation and User instructions.

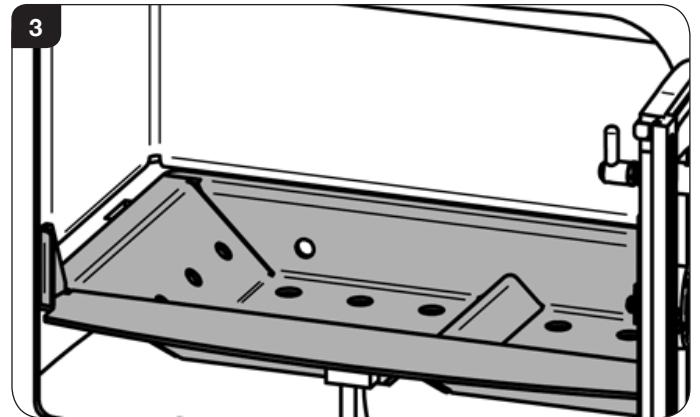
To fit the Wood Burning Tray:

- 1.2 Remove the log guard and ashpan.
- 1.3 Hold the tray flat with the front edge pointing forwards, tilt diagonally and insert through the front of the appliance, see Diagram 2.

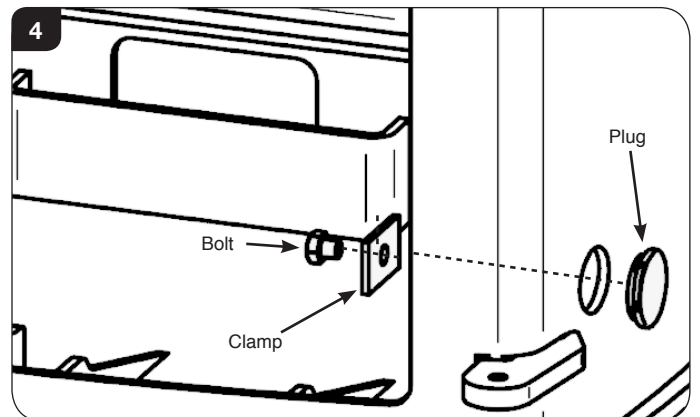
Ensure that the lower log guard support is inserted first to achieve the correct angle.



- 1.4 Place flat on the fixings on the bottom of the appliance, see Diagram 3.



- 1.5 Fit the plug supplied into the hole where the riddling mechanism is normally located and secure with bolt and clamp (also supplied), see Diagram 4.



- 1.6 Replace the log guard and ashpan.